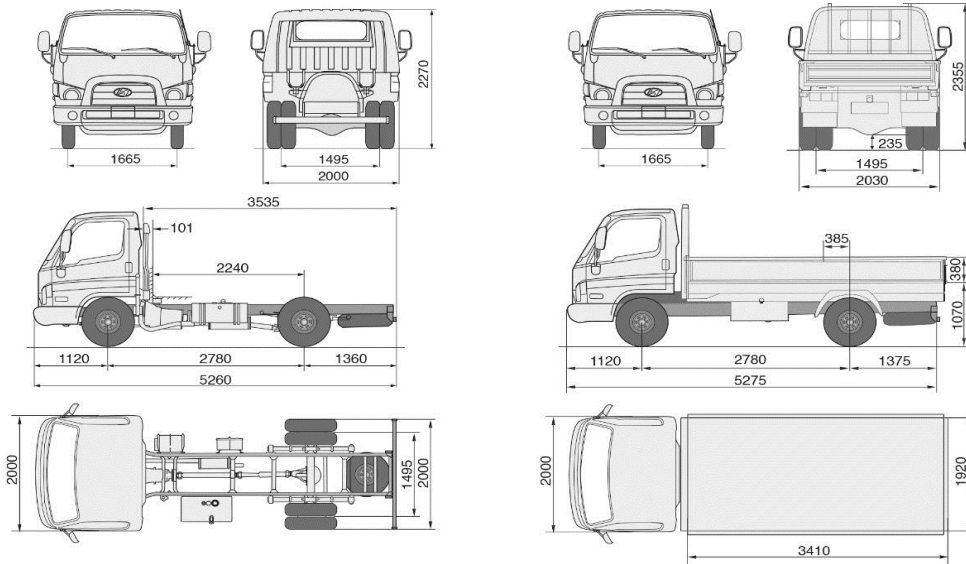


HD78 Cargo Wide Short Wheelbase

HYUNDAI HD Series



	Width	Wide
Cab	Length	Standard
	Height	High
Wheel Base		Short
Drive System		4 X 2
Application Engines		D4DD

Dimensions (mm)

Wheel Base		2,780
	Length	5,260 / 5,275
Overall (Chassis Cab / Cargo)	Width	2,000 / 2,030
	Height	2,270 / 2,355
Wheel Tread	Front / Rear	1,665 / 1,495
Overhang (Chassis Cab / Cargo)	Front	1,120 / 1,120
	Rear	1,360 / 1,375
	Length	3,410
Deck Size (Cargo)	Width	1,920
	Height	380
	Floor Height	1,070
C.A (Cab to rear Axle)		2,240
C.E (Cab to end of frame)		3,535
Min. Ground Clearance		235
Min. Turning Radius	m	5.2

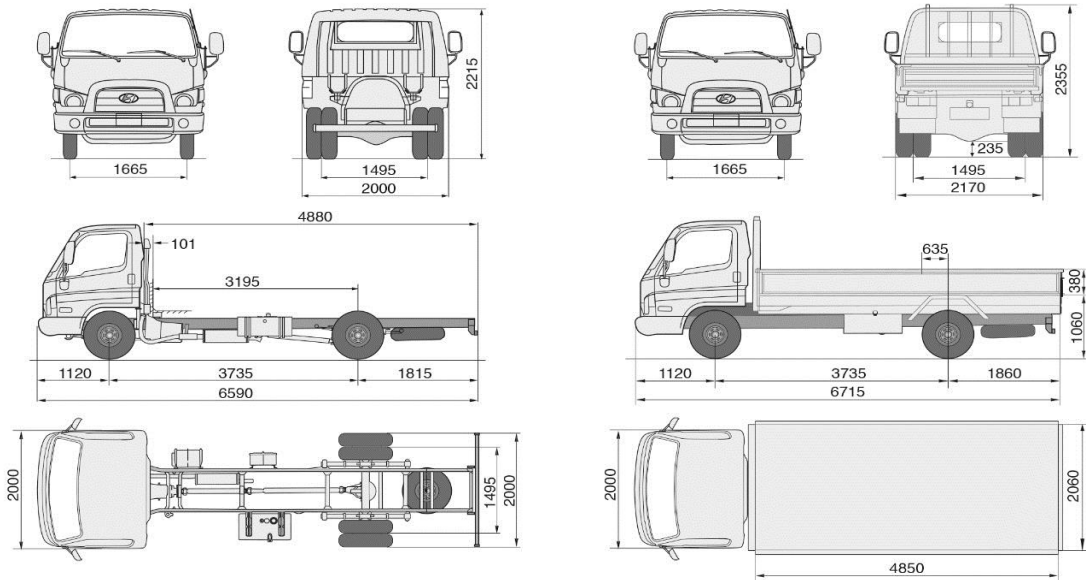
Weight (kg)

Chassis Cab Weight		2,550 / 3,005
(Chassis Cab / Cargo)	Front	1,605 / 1,685
	Rear	945 / 1,320
** Max Gross Vehicle Weight		7,800
	Front / Rear	3,100 / 4,700

** Max. GVW includes the front & rear axle loads based on the permissible tire load.

HD78 Cargo Wide long Wheelbase

HYUNDAI HD Series



Cab	Width	Wide	Standard
	Length		
	Height	High	
Wheel Base		Long	
Drive System		4 X 2	
Application Engines	D4DC	D4DB	D4DD D4GA

Dimensions (mm)

Wheel Base		3,735		3,775
	Length	6,590 / 6,715		6,630 / 6,765
Overall (Chassis Cab / Cargo)	Width	2,000 / 2,170		2,000 / 2,170
	Height	2,215 / 2,355		2,270 / 2,355
Wheel Tread	Front / Rear	1,665 / 1,495		1,680 / 1,495
Overhang (Chassis Cab / Cargo)	Front		1,120 / 1,120	
	Rear	1,815 / 1,860		1,735 / 1,860
	Length	4,880		4,850
Deck Size (Cargo)	Width		2,060	
	Height		380	
	Floor Height	1,060		1,070
C.A (Cab to rear Axle)			3,195	3,235
C.E (Cab to end of frame)			4,860	4,900
Min. Ground Clearance			235	
Min. Turning Radius	m		7.3	

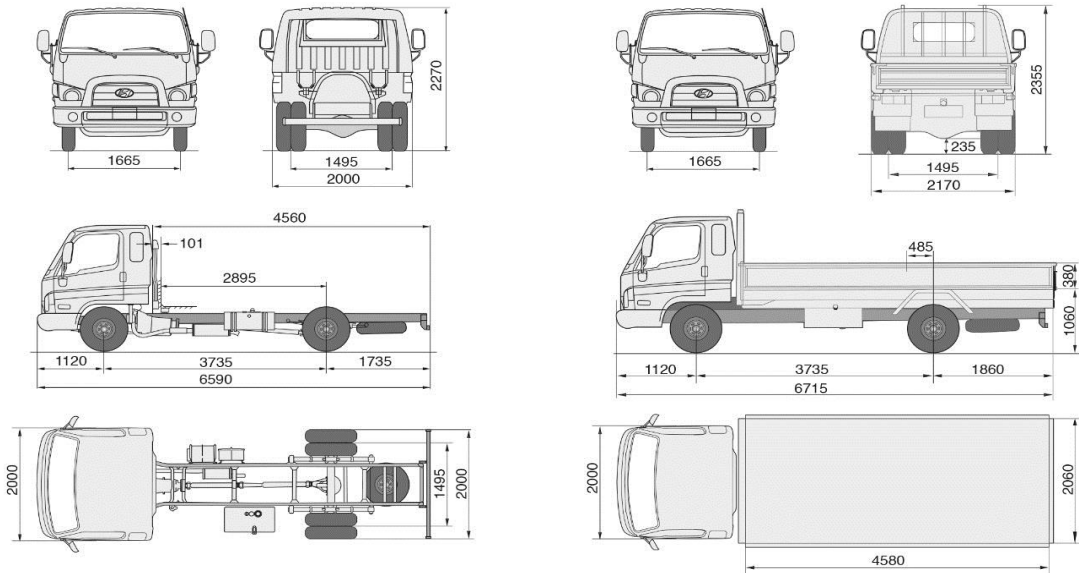
Weight (kg)

Chassis Cab Weight (Chassis Cab / Cargo)		2,470 / 3,060	2,565 / 3,155	2,575 / 3,165	2,755 / 3,345
	Front	1,595 / 1,695	1,660 / 1,760	1,660 / 1,760	1,790 / 1,890
	Rear	875 / 1,365	905 / 1,395	915 / 1,405	965 / 1,455
** Max Gross Vehicle Weight			7,800		
	Front		3,100 / 4,700		

** Max. GVW includes the front & rear axle loads based on the permissible tire load.

HD78 Cargo Wide Super Cab Long Wheelbase

HYUNDAI HD Series



	Width	Length	Height	Wide	Super	High	Long	4 X 2
Cab								
Wheel Base								
Drive System								
Application Engines				D4DC	D4DB	D4DD	D4GA	
Dimensions (mm)								
Wheel Base					3,735			3,775
Overall (Chassis Cab / Cargo)	Length			6,590 / 6,715		6,590 / 6,715		6,630 / 1,725
	Width			2,000 / 2,170		2,000 / 2,170		
	Height			2,215 / 2,355		2,270 / 2,355		
Wheel Tread	Front / Rear				1,665 / 1,495			1,680 / 1,495
	Front					1,120 / 1,120		
Overhang (Chassis Cab / Cargo)	Rear			1,665 / 1,860		1,735 / 1,860		1,735 / 1,830
	Length					4,580		
	Width					2,060		
Deck Size (Cargo)	Height					380		
	Floor Height			1,060			1,070	
	C.A (Cab to rear Axle)				2,895			2,935
C.E (Cab to end of frame)				4,560			4,600	
Min. Ground Clearance						235		
Min. Turning Radius	m					7.3		

Weight (kg)								
Chassis Cab Weight (Chassis Cab / Cargo)				2,490 / 3,055	2,545 / 3,110	2,595 / 3,160	2,775 / 3,340	
	Front			1,600 / 1,665	1,635 / 1,700	1,665 / 1,730	1,795 / 1,860	
	Rear			890 / 1,390	910 / 1,410	930 / 1,430	980 / 1,480	
** Max Gross Vehicle Weight						7,800		
	Front / Rear					3,100 / 4,700		

** Max. GVW includes the front & rear axle loads based on the permissible tire load.

Chassis Specifications

Engine

Model	D4DC	D4DB	D4DD	D4GA14	D4GA15	D4GA17
Type	Natural Aspiration	Turbo Charger Intercooler				
number of Cylinder	4 stroke-cycle, water-cooled, direct-injection diesel engine					
Piston Displacement (cc)	3,907	3,907	3,907	3,933		
Bore x Stroke (mm)	104 x 115	104 x 115	104 x 115	103 x 118		
Compression Ratio	18.1 : 1	18.0 : 1	17.5 : 1	17.0 : 1		
Max. Power** (ps/rpm)	Euro I	120 / 3,200	130 / 2,900	-	-	-
	Euro II	-	130 / 2,900	-	-	-
	Euro III	-	-	140 / 2,800	-	-
	Euro IV	-	-	-	140 / 2,700	150 / 2,500
	Euro V	-	-	-	-	-
Max. Torque ** (kg.m/rpm)	Euro I	30 / 2,000	38 / 1,600	-	-	-
	Euro II	-	38 / 1,600	-	-	-
	Euro III	-	-	38 / 1,600	-	-
	Euro IV	-	-	-	38 / 1,400	59 / 1,400
	Euro V	-	-	-	-	-
Fuel Metering System	Injection pump	In-line System		Common Rail System		
	Governor	Mechanical Type		Electrical Type by ECU		
Cooling System	Fuel filter	Spin-on type			Spin-on type, 2 Filter	
	System	Water-Cooling. Forced circulation by centrifugal water pump				
Lubrication System	Cooling Fan	Auto Clutched Type				
	Radiator	Corrugated fin and tube type with pressure cap and condenser tank				
Eletrical System	System	Forced Lubrication Oil by gear pump				
	Oil Filter	Full flow filter with paper element				
	Oil Cooler	Shell & Plate				
Timing System	Oil Grade	CF-4 or above (API Classification)			CI-4 or above (API Classification)	
	Battery	24V-40A		24V-50A	24V-55A	
	Alternator	24V-5.0kW				
	Starter	OverHead Valve, 2 Valves per Cylinder			Single OverHead Cam, 4 Valves per Cylinder	

** Max. Power and Torque of engine may vary according to each country.

Clutch

Type	Hydraulic control, Diaphragm spring, Single dry plate, Pre-Damper	
Facing Material	Non-Asbestos	
Facing Size (mm) Outside dia x Inside dia	ø300 x 190	ø362 x 236

HYUNDAI HD Series_HD78 Cargo

Transmission

Engine	D4DC	D4DB	D4DD	D4GA14	D4GA15	D4GA17
Model		M03555			T06055 (OPT: T06056)	
Type		5 Speed Manual			<- (OPT : 6 Speed)	
	1st		5.380		5.810 (6.701)	
	2nd		3.208		3.281 (3.712)	
	3rd		1.700		1.787 (2.084)	
Gear Ratio	4th		1.000		1.000 (1.351)	
	5th		0.722		0.705 (1.000)	
	6th		-		- (0.732)	
	Reverse		5.380		5.294 (5.983)	
Gear Oil	SAE75W/85 (GL4, Synthetic)					
T.G.S. (Transmission Gear Shift)	Floor shift, Mechanical remote control					

Rear Axle

Type	Full floating type					
Capacity	kg	4,700				
Final Reduction Gear	Type	Single Reduction, Hypoid gear				
	G/Ratio	6.666	5.428	5.428 / 6.166	5.428	3.727 3.417 / 3.727

Front Axle

Type	Reverse Elliot type " I " beam					
Capacity	kg	2,600				

Tire & Wheel

Type	Single Front, Dual Rear					
Tire	Front / Rear	7.50R 16 12PR (OPT:14PR)				
Wheel	Front / Rear	6.00GS 16 SDC-127				

Steering

Type	2-Spoke, Ball-nut type, Tilt & Telescopic steering column					
Tilting Angle	55.5° ~ 62.2°					
Turning Angle	Inner	44°(Wide)				
	Outer	34°(Wide)				

Service Brake

Actuation	Hydraulic with vacuum servo assistance, dual circuit					
Front Size (mm)	Drum diameter x Lining width x Lining thickness :					
Rear Size (mm)	ø320 x 85 x 10					
Adjuster	Auto adjuster (OPT)			Auto adjuster (STD)		

Parking Brake

	D4DC	D4DB	D4DD	D4GA14	D4GA15	D4GA17
Engine	Internal expanding type on propellarshaft at the rear of transmission assy					
Actuation	0180 x 35 x 5 (M*S5 T/M), 0190 x 45 x 4 (M035S5 T/M), 0230 x 55 x 4 (T60S* T/M) * cf : Drum diameter x Lining width x Lining thickness					
Size (mm)						

Auxiliary Brake

Exhaust Brake	Vacuum operated, butterfly valve type
---------------	---------------------------------------

Suspension

Type	Front / Rear	Semi-elliptic, laminated leaf springs with shock absorber
Shock absorber		Hydraulic double acting telescopic type on the front & rear axles

Exhaust system

General	-	DOC	EGR + DOC + PMC
Tail pipe		Droptail type, blowing to chassis rearward	

Fuel tank

Capacity	100 liter
Material	Steel

Frame

Type	"H" type frame with channel sectional side rail & cross members, side rail is reinforced with outer stiffeners
Main section side rail dimension (mm)	Depth x Flange x Thickness : 183 x 60 x 6t

HYUNDAI HD Series_HD78 Cargo

Annotations

- 1) Empty vehicle weight and curb weight shown are to 3.5% variation to allow for production tolerance.
- 2) Empty vehicle weight and curb weight include weight of oil, fuel, coolant and spare tire carrier & bracket, spare tire but exclude standard tool set
- 3) The vehicle specifications may differ per country.
- 4) Hyundai motor company reserves the right to alter the specifications, equipment or options or discontinue the models at any time without prior not