

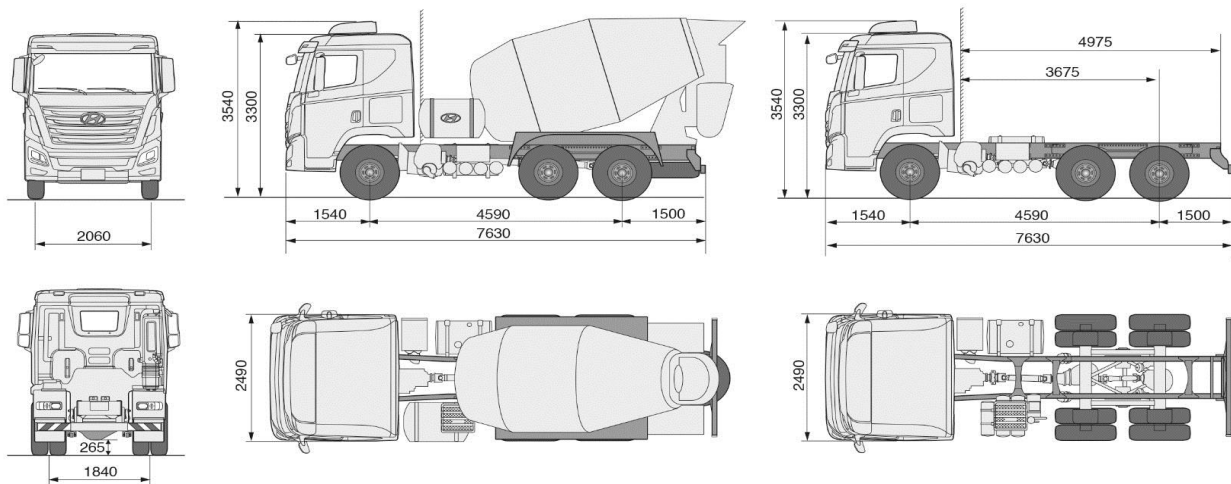
HYUNDAI XGENT

Annotations

- 1) Chassis cab weight and curb weight shown are to 3.5% variation to allow for production tolerance.
- 2) Chassis cab weight and curb weight include weight of oil, fuel, coolant and spare tire carrier & bracket, spare tire but exclude standard tool set.
- 3) The vehicle specifications may differ per country.
- 4) For further information please contact the commercial vehicle export teams of HMC.
- 5) In order that product improvement may be introduced at any time, specifications are subject to change without prior notice.

310 Mixer Short Wheelbase

HYUNDAI XCINT

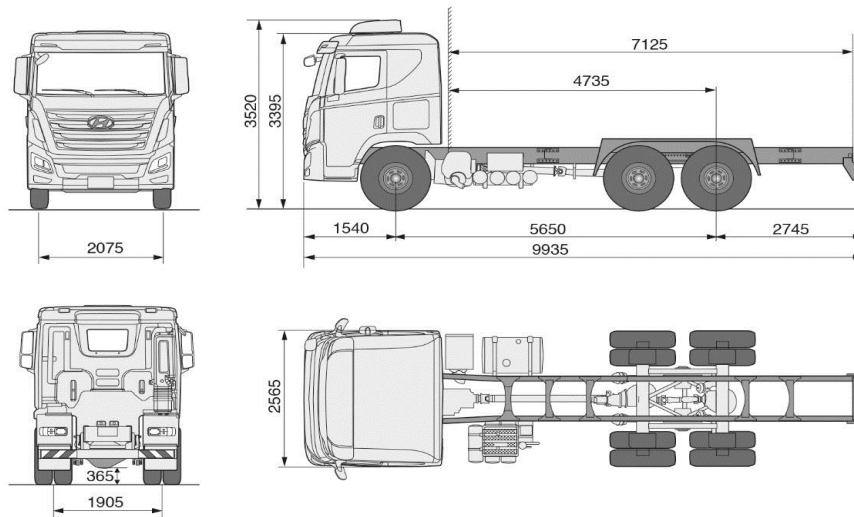


Model		H380.310 / H400.310		
Vehicle Type		Mixer		
Cab Type		Sleeper Cab		
Wheel Base		Short		
Drive System		LHD / RHD, 6 x 4		
Application Engines		D6HB38	D6HA38	D6HA40A
Dimensions (mm)				
Wheel Base			4,590	
Overall (Chassis cab)	Length		7,630	
	Width		2,490	
	Height		3,300	
Wheel Tread	Front		2,060	
	Rear		1,840	
Overhang (Chassis Cab)	Front		1,540	
	Rear (Frame)		1,300	
C.A (Cab to rear Axle)			3,675	
C.E (Cab to End of frame)			4,975	
Min. Ground Clearance			265	
Min. Turning Radius	m	6.4		
Weight (kg)				
Chassis Cab Weight			8,340	8,400
	Front		4,770	4,820
	Rear		3,570	3,580
** Max Gross Vehicle Weight			32,300	
	Front		7,100	
	Rear		25,200	

** Max. GVW includes the front & rear axle loads based on the tubless radial tires permissible load.

400 Mixer Long Wheelbase

HYUNDAI XCINT



Model	H380.400 / H420.400	
Vehicle Type	Mixer	
Cab Type	Sleeper Cab	
Wheel Base	Long	
Drive System	LHD / RHD, 6 x 4	
Application Engines	D6HB3H	D6HA42

Dimensions (mm)

Wheel Base		5,650
Overall (Chassis cab)	Length	9,935
	Width	2,565
Wheel Tread	Front	2,075
	Rear	1,905
Overhang (Chassis Cab)	Front	1,540
	Rear (Frame)	2,745 (2,390)
C.A (Cab to rear Axle)		4,735
C.E (Cab to End of frame)		7,125
Min. Ground Clearance		365
Min. Turning Radius	m	8.9

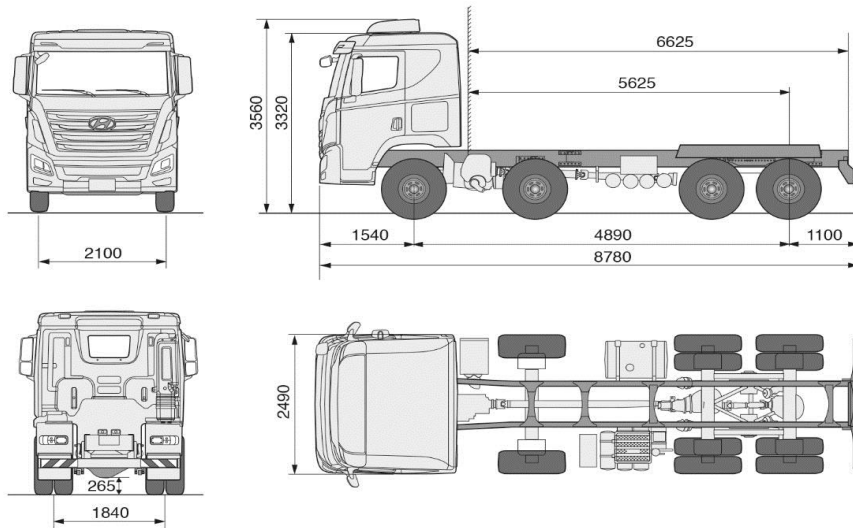
Weight (kg)

Chassis Cab Weight		9,310	9,355
	Front	4,660	4,695
	Rear	4,650	4,660
** Max Gross Vehicle Weight		40,000	
	Front	8,000	
	Rear	32,000	

** Max. GVW includes the front & rear axle loads based on the tubless radial tires permissible load.

430 Mixer Short Wheelbase

HYUNDAI XCINT



Model	H380.430
Vehicle Type	Mixer
Cab Type	Sleeper Cab
Wheel Base	Short
Drive System	LHD, 8 x 4
Application Engines	D6HB38

Dimensions (mm)

Wheel Base		4,890
	Length	8,780
Overall (Chassis cab)	Width	2,490
	Height	3,320 (3,560)
Wheel Tread	Front	2,100
	Rear	1,840
Overhang	Front	1,540
(Chassis Cab)	Rear (Frame)	1,000
C.A (Cab to rear Axle)		5,625
C.E (Cab to End of frame)		6,625
Min. Ground Clearance		265
Min. Turning Radius	m	9.8

Weight (kg)

Chassis Cab Weight		9,990
	Front	6,895
	Rear	3,095
** Max Gross Vehicle Weight		43,200
	Front	18,000
	Rear	25,200

** Max. GVW includes the front & rear axle loads based on the tubless radial tires permissible load.

Chassis Specifications
Engine

Engine		D6HB38	D6HB3H	D6HA38	D6HA40A	D6HA42
Type		Turbo Charger Intercooler 4 stroke-cycle, water-cooled, direct-injection diesel engine				
Number of Cylinder		6 in-line				
Piston Displacement (cc)		9,960				
Bore x Stroke (mm)		122 x 142				
Compression Ratio		17 : 1				
Max. Power ** (ps/rpm)	Euro III	380 / 2,000	380 / 2,000	-	-	-
	Euro IV	-	-	380 / 2,000	-	-
	Euro V	-	-	-	400 / 1,800	420 / 1,800
	Euro III	160 / 1,200	173 / 1,200	-	-	-
Max. Torque ** (kg.m/rpm)	Euro IV	-	-	160 / 1,200	-	-
	Euro IV	-	-	-	178 / 1,100	200 / 1,100
	General	Pressure type with thermostat, Forced circulation by centrifugal water pump				
Cooling System	Radiator	Corrugated fin type with pressure cap and condenser tank				
	Battery	12V x 2, 150 AH at 20 Hr rates				
	Electrical System	24V-70A				
Fuel System	Alternator	24V-6.0kW				
	Injection pump	EUI system				
	Governor	Electronic Control				
Oil System	Fuel filter	Spin-on type				
	Lubrication	Forced lubrication by gear pump				
	Oil filter	Full flow and bypass type with paper element				
Valve System	Oil cooler	Water cooled, plate fin type				
	Oil grade	API service classification CF-4 or above				
Single Overhead Valve, Two valves per cylinder						

** Max. Power and Torque of engine may vary according to each country.

Clutch

Type	Hydraulic control with Air pressure assistance, Diaphragm spring, Single dry plate, Pre-Damper
Facing Material	Non-Asbestos
Facing Size (mm) Outside dia x Inside dia	ø430 x ø242

HYUNDAI XCIENT_310/400/430 Mixer

Transmission

Model		.310			.400		.430
Application Engines		D6HB38	D6HA38	D6HA40A	D6HB3H	D6HA42	D6HB38
	H160S6	.	.				
	H160S 2X5	o	o				.
T/MApplication • : STD o : OPT	ZF16S1830				.		
	ZF16S2330					.	
	FSO10309			.			
Model		H160S6	H160S 2x5	ZF16S1830	ZF16S2330	FSO10309	
Type		6 forward and 1 reverse speed	10 forward and 2 reverse speed	16 forward and 2 reverse speed		9 forward and 1 reverse speed	
	1st (High / Low)	7.213	9.153 / 7.145	13.80 / 11.54	16.41 / 13.80	10.58 / 7.38	
	2nd (High / Low)	4.178	4.783 / 3.733	9.49 / 7.93	11.28 / 9.49	5.22 / 3.71	
	3rd (High / Low)	2.587	2.765 / 2.158	6.53 / 5.46	7.76 / 6.53	2.73 / 1.99	
	4th (High / Low)	1.621	1.666 / 1.301	4.57 / 3.82	5.43 / 4.57	1.41 / 1.00	
Gear Ratio							
	5th (High / Low)	1.000	1.000 / 0.780	3.02 / 2.53	3.59 / 3.02	0.74	
	6th (High / Low)	0.702	-	2.08 / 1.74	2.47 / 2.08	-	
	7th (High / Low)		-	1.43 / 1.20	1.70 / 1.43	-	
	8th (High / Low)		-	1.00 / 0.84	1.19 / 1.00	-	
	Reverse	7.081	8.105 / 6.327	12.92 / 10.80	15.36 / 12.92	10.59	
Gear Oil	API service classification GL-4 or SAE service classification 80W (90 ; Tropical zones only)						
TG.S. (Transmission Gear Shift)	Floor shift, Mechanical remote control						

Rear Axle

Model		.310		.400		.430	
Type				Full floating type			
Capacity	kg	13,000 x 2		16,000 x 2		13,000 x 2	
Final Reduction Gear	Type	Single Reduction, Hypoid gear		HUB Reduction, Hypoid gear		Single Reduction, Hypoid gear	
	G/Ratio	5.571 / 6.166		6.676		6.166	

Front Axle

Type	Reverse Elliot type " I " beam		
Capacity	kg	8,000	9,000 x 2

Tire & Wheel

Type		Single Front, Dual Rear		
Tire	Front			385/65R22.5 -20PR
	Rear	12R22.5-16PR	12.00R24-18PR	12R22.5-16PR
Wheel	Front			22.5 x 11.75
	Rear	22.5 x 8.25	24 x 8.5v	22.5 x 8.25

HYUNDAI XCIENT_310/400/430 Mixer

Steering

Model		.310	.400	.430
Type		2-Spoke, Ball-nut type, Tilt & Telescopic steering column		
Tilting Angle		9 °		
Turning Angle	Inner/ Outer	49 ° / 35 °		

Service Brake

Actuation		Full Air, Dual circuit fixed S cam with spring loaded chambers		
Size (mm)	Front	Drum dia. x Lining width x Lining thickness : $\phi 410 \times 156 \times 19$		$\phi 419 \times 178 \times 19$
	Rear	Drum dia. x Lining width x Lining thickness : $\phi 410 \times 220 \times 19$		$\phi 410 \times 220 \times 19$
Total lining area		9,634cm ²		12,993cm ²

Parking Brake

Actuation		Spring loaded type chamber on the front wheel and the 1st/2nd rear wheel		
Size (Drum diameter x Lining width x Lining thickness)		Front : $\phi 410 \times 156 \times 19$ mm	Rear : $\phi 410 \times 220 \times 19$ mm	Front : $\phi 419 \times 178 \times 19$ mm Rear : $\phi 410 \times 220 \times 19$ mm
Total lining area		6,077cm ²	9,633cm ²	10,052cm ²

Exhaust Brake

Type	Air operated, butterfly valve type
------	------------------------------------

Suspension

Type	Front	Semi-elliptic, laminated leaf springs
	Rear	Semi-elliptic, laminated leaf springs with shackle link (Multi leaf spring)
Shock absorber		Hydraulic double acting telescopic type on the front axle

Exhaust system

General	Conventional (horizontal) type muffler
Tail pipe	Droptail type, blowing to chassis rearward

Fuel tank

Capacity	300 liter	380 liter
Material	Aluminum	Steel
		Aluminum

Frame

Type	"H" type frame with channel sectional side rail & cross members, side rail is reinforced with outer stiffeners
Main side rail (mm)	Depth x Flange x Thickness : 302 x 90 x 8t
Outer Stiffener (mm)	Depth x Flange x Thickness : 316 x 97 x 7t