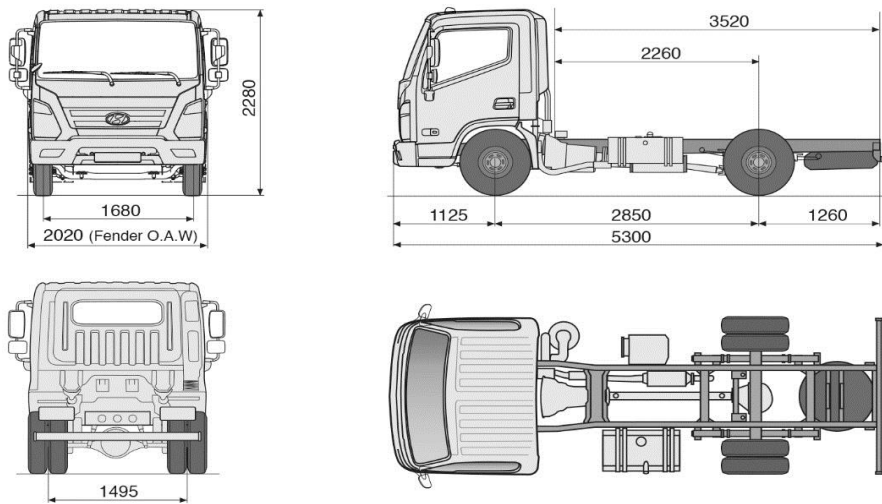


# EX6 Cargo Short Wheelbase

HYUNDAI MIGHTY



Cab	Width	Wide
	Length	Standard
	Height	High
Wheel Base		Short
Drive System		4 x 2
Application Engines	<b>D4DC / D4DB-d / D4DD / D4GA14A / D4GA17 / D4GB17</b>	

## Dimensions (mm)

Wheel Base		2,850
	Length	5,300
Overall (Chassis Cab)	Width	2,028 (Door handle)
	Height	2,295 (7.00R16 Tire), 2,275 (205/75R17.5 Tire)
Wheel Tread	Front	1,680 (D4DC/D4DB-d), 1,695 (D4DD/D4GA)
	Rear	1,495 (Disc Brake : 1,575)
Overhang (Chassis Cab)	Front	1,125
	Rear	1,325
C.A (Cab to rear Axle)		2,260
C.E (Cab to End of frame)		3,520
Min. Ground Clearance		185
Min. Turning Radius	m	5.3

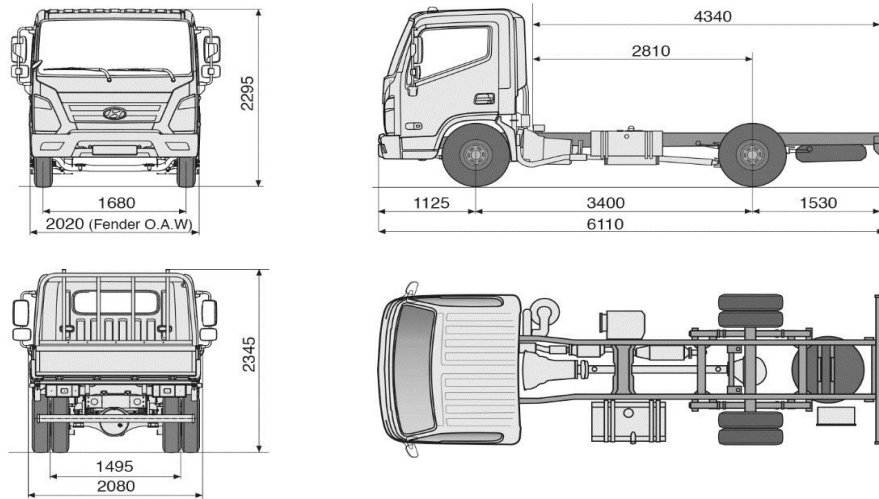
## Weight (kg)

Chassis Cab Weight		2,480 / 2,620 / 2,750
<b>D4DX / D4GA / D4GB</b>	Front	1,625 / 1,750 / 1,820
	Rear	855 / 870 / 930
** Max Gross Vehicle Weight		6,500
	Front	2,400
	Rear	4,100

\*\* Max. GVW includes the front & rear axle loads based on the permissible tire load.

# EX6 Cargo Medium Wheelbase

HYUNDAI MIGHTY

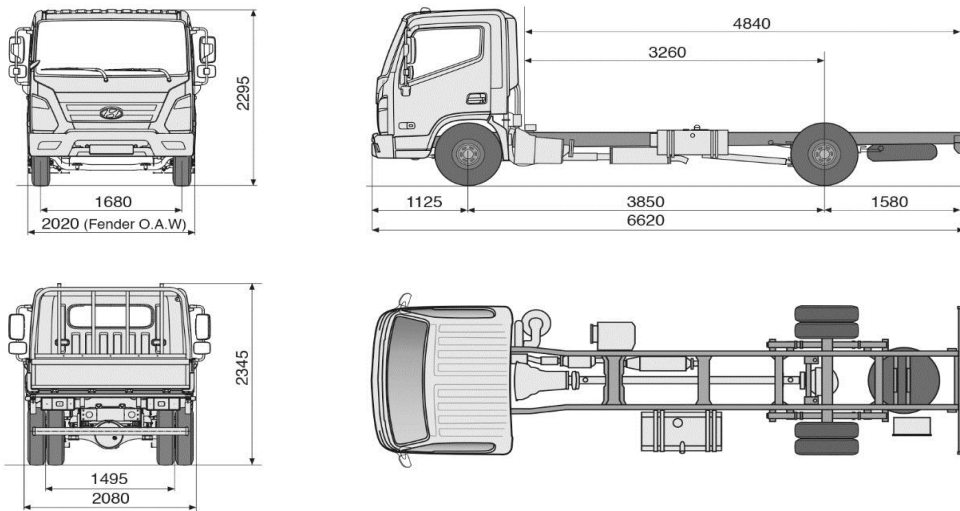


	Width	Length	Height	Wide Standard
Cab				
Wheel Base	Medium			
Drive System	4 x 2			
Application Engines	<b>D4DC / D4DB-d / D4DB13 / D4DD / D4GA15 / D4GA14A / D4GA17 / D4GB17</b>			
<b>Dimensions (mm)</b>				
Wheel Base	3,400			
	Length			6,110 / 6,210
Overall (Chassis Cab / Cargo)	Width			2,028 (Door handle) / 2,080 (OPT: 2,180)
	Height			2,295 (7.00R16 Tire), 2,275 (205/75R17.5 Tire) / 2,355 (7.00R16 Tire), 2,335 (205/75R17.5 Tire)
Wheel Tread	Front			1,680 (D4DC/D4DB-d), 1,695 (D4DD/D4GA)
	Rear			1,495 (Disc Brake : 1,575)
Overhang (Chassis Cab / Cargo)	Front			1,125 / 1,125
	Rear			1,585 / 1,685
	Length			4,340
Deck Size	Width			1,960/2,060
	Height			380
	Floor Height			1,040
C.A (Cab to rear Axle)				2,810
C.E (Cab to End of frame)				4,340
Min. Ground Clearance				185
Min. Turning Radius	m			6.3
<b>Weight (kg)</b>				
Chassis Cab weight				2,495 / 2,635 / 2,765
<b>D4DX / D4GA / D4GB</b>	Front			1,650 / 1,775 / 1,855
	Rear			845 / 860 / 910
Cargo Weight				3,030 / 3,170
<b>D4DX / D4GA / D4GB</b>	Front			1,735 / 1,860
	Rear			1,295 / 1,310
** Max Gross Vehicle Weight				6,500
	Front / Rear			2,400 / 4,100

\*\* Max. GVW includes the front & rear axle loads based on the permissible tire load.

# EX6 Cargo Long Wheelbase

HYUNDAI MIGHTY



Cab	Width	Wide
	Length	Standard
	Height	High
Wheel Base		Long
Drive System		4 x 2
Application Engines	<b>D4DC / D4DB-d / D4DB13 / D4DD / D4GA15 / D4GA14A / D4GA17 / D4GB17</b>	

## Dimensions (mm)

Wheel Base		3,850
	Length	6,620 / 6,720
Overall (Chassis Cab / Cargo)	Width	2,028 (Door handle) / 2,080 (OPT: 2,180)
	Height	2,295 (7.00R16 Tire), 2,275 (205/75R17.5 Tire) / 2,355 (7.00R16 Tire), 2,335 (205/75R17.5 Tire)
Wheel Tread	Front	1,680 (D4DC/D4DB-d), 1,695 (D4DD/D4GA)
	Rear	1,495 (Disc Brake : 1,575)
Overhang (Chassis Cab / Cargo)	Front	1,125
	Rear	1,645 / 1,745
	Length	4,850
Deck Size	Width	2,060
	Height	380
	Floor Height	1,040
C.A (Cab to rear Axle)		3,260
C.E (Cab to End of frame)		4,840
Min. Ground Clearance		195
Min. Turning Radius	m	7.5

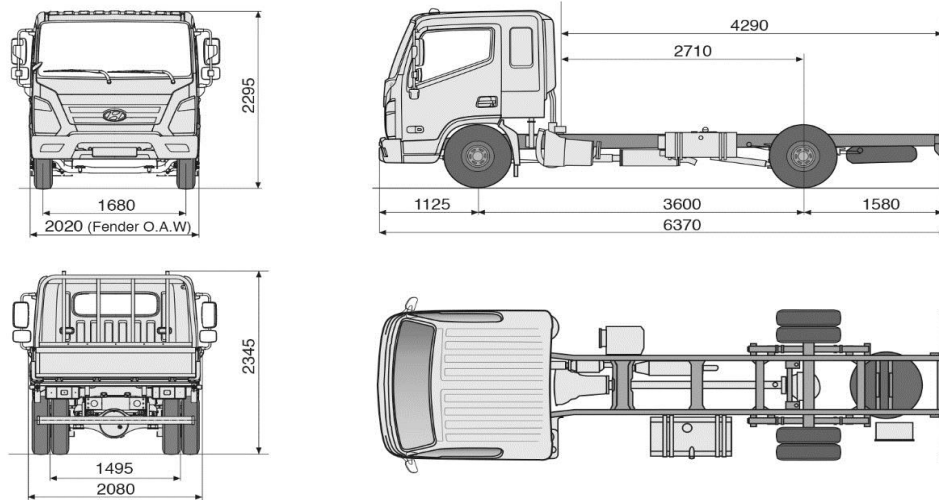
## Weight (kg)

Chassis Cab Weight		2,575 / 2,715 / 2,845
<b>D4DX / D4GA</b>	Front	1,675 / 1,800 / 1,880
	Rear	900 / 915 / 965
Cargo weight		3,175 / 3,315
<b>D4DX / D4GA</b>	Front	1,915 / 1,790
	Rear	1,385 / 1,400
** Max Gross Vehicle Weight		6,500
	Front / Rear	2,400 / 4,100

\*\* Max. GVW includes the front & rear axle loads based on the permissible tire load.

# EX6 Cargo Super Cab Medium Wheelbase

HYUNDAI MIGHTY



Cab	Width	Wide
	Length	Super
	Height	High
Wheel Base		Medium
Drive System		4 x 2
Application Engines	<b>D4DC / D4DB-d / D4DB13 / D4DD / D4GA15 / D4GA14A / D4GA17</b>	

## Dimensions (mm)

Wheel Base		3,600
	Length	6,370 / 6,510
Overall (Chassis Cab / Cargo)	Width	2,028 (Door handle) / 2,080 (OPT: 2,180)
	Height	2,295 (7.00R16 Tire), 2,275 (205/75R17.5 Tire) / 2,355 (7.00R16 Tire), 2,335 (205/75R17.5 Tire)
Wheel Tread	Front	1,680 (D4DC/D4DB-d), 1,695 (D4DD/D4GA)
	Rear	1,495 (Disc Brake : 1,575)
Overhang (Chassis Cab / Cargo)	Front	1,125
	Rear	1,645 / 1,785
	Length	4,340
Deck Size	Width	1,960/2,060
	Height	380
	Floor Height	1,035
C.A (Cab to rear Axle)		2,710
C.E (Cab to End of frame)		4,290
Min. Ground Clearance		185
Min. Turning Radius	m	6.7

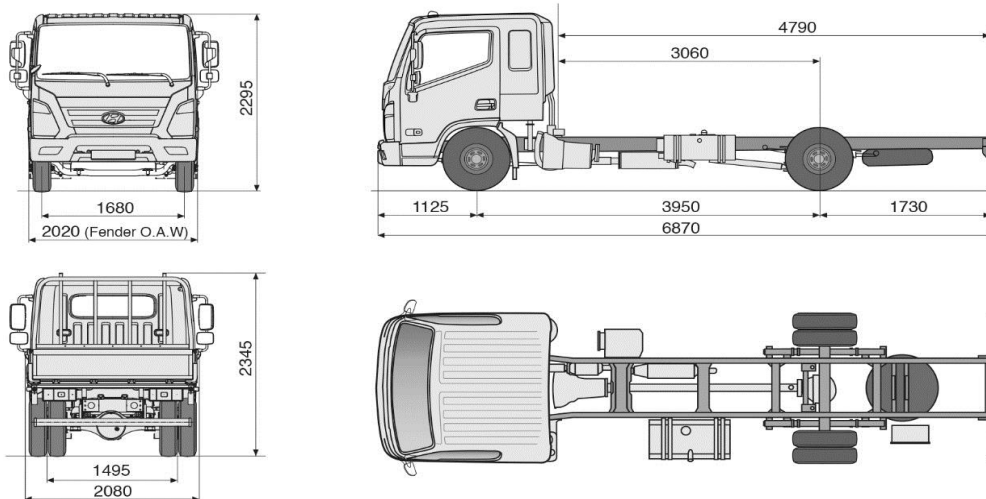
## Weight (kg)

Chassis Cab Weight		2,535 / 2,675
<b>D4DX / D4GA</b>	Front	1,695 / 1,820
	Rear	840 / 855
Cargo weight		3,070 / 3,210
<b>D4DX / D4GA</b>	Front	1,760 / 1,885
	Rear	1,310 / 1,325
** Max Gross Vehicle Weight		6,500
	Front / Rear	2,400 / 4,100

\*\* Max. GVW includes the front & rear axle loads based on the permissible tire load.

# EX6 Cargo Super Cab Long Wheelbase

HYUNDAI MIGHTY



Cab	Width	Wide
	Length	Super
	Height	High
Wheel Base		Long
Drive System		4 x 2
Application Engines	<b>D4DC / D4DB-d / D4DB13 / D4DD / D4GA15 / D4GA14A / D4GA17(D4GA16)</b>	

## Dimensions (mm)

Wheel Base		3,950
Overall (Chassis Cab / Cargo)	Length	6,870 / 7,020
	Width	2,028 (Door handle) / 2,080 (OPT: 2,180)
	Height	2,295 (7.00R16 Tire), 2,275 (205/75R17.5 Tire) / 2,355 (7.00R16 Tire), 2,335 (205/75R17.5 Tire)
Wheel Tread	Front	1,680 (D4DC/D4DB-d), 1,695 (D4DD/D4GA)
	Rear	1,495 (Disc Brake : 1,575)
Overhang (Chassis Cab / Cargo)	Front	1,125
	Rear	1,795 / 1,945
Deck Size	Length	4,850
	Width	2,060
	Height	380
	Floor Height	1,035
C.A (Cab to rear Axle)		3,060
C.E (Cab to End of frame)		4,790
Min. Ground Clearance		195
Min. Turning Radius	m	7.7

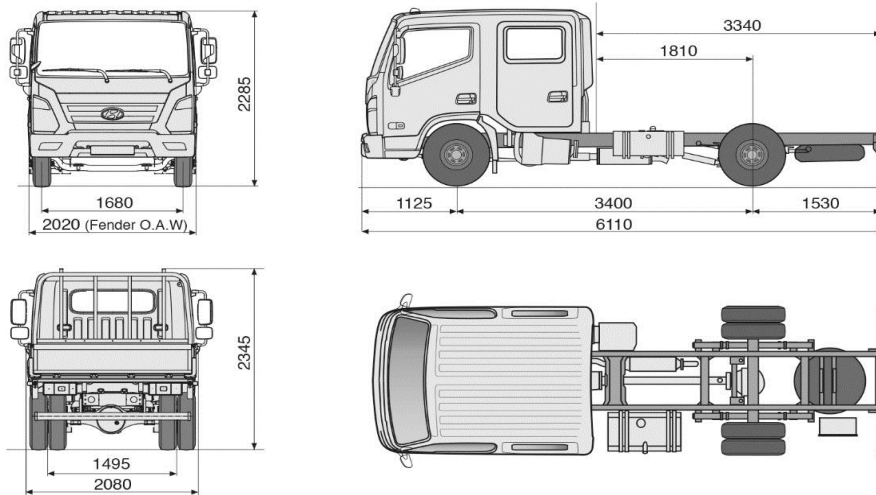
## Weight (kg)

Chassis Cab Weight		2,595 / 2,735
<b>D4DX / D4GA</b>	Front	1,715 / 1,840
	Rear	880 / 895
Cargo weight		3,195 / 3,335
	<b>D4DX / D4GA</b>	Front
	Rear	1,400 / 1,415
** Max Gross Vehicle Weight		6,500
	Front / Rear	2,400 / 4,100

\*\* Max. GVW includes the front & rear axle loads based on the permissible tire load.

# EX6 Cargo Double Cab Medium Wheelbase

HYUNDAI MIGHTY



Cab	Width	Wide
	Length	Double
	Height	High
Wheel Base		Medium
Drive System		4 x 2
Application Engines	<b>D4DC / D4DB-d / D4DB13 / D4DD / D4GA15 / D4GA14A / D4GA17(D4GA16)</b>	

## Dimensions (mm)

Wheel Base		3,400
Overall (Chassis Cab / Cargo)	Length	6,110 / 6,210
	Width	2,028 (Door Handle) / 2,080
	Height	2,295 (7.00R16 Tire), 2,275(205/75R17.5 Tire) / 2,355 (7.00R16 Tire), 2,335 (205/75R17.5 Tire)
Wheel Tread	Front	1,680 (D4DC/D4DB-d), 1,695 (D4DD/D4GA)
	Rear	1,495 (Disc Brake : 1,575)
Overhang (Chassis Cab / Cargo)	Front	1,125 / 1,125
	Rear	1,585 / 1,685
	Length	3,340
Deck Size	Width	1,960
	Height	380
	Floor Height	1,040
C.A (Cab to rear Axle)		1,810
C.E (Cab to End of frame)		3,340
Min. Ground Clearance		185
Min. Turning Radius	m	6.3

## Weight (kg)

Chassis Cab Weight		2,680 / 2,820
<b>D4DX / D4GA</b>	Front	1,685 / 1,810
	Rear	995 / 1,010
Cargo weight		3,090 / 3,230
	<b>D4DX / D4GA</b>	Front
	Rear	1,400 / 1,415
** Max Gross Vehicle Weight		6,500
	Front / Rear	2,400 / 4,100

\*\* Max. GVW includes the front & rear axle loads based on the permissible tire load.

**Chassis Specifications**  
**Engine**

Model	D4DC	D4DB-d	D4DB13	D4DD	D4GA15	D4GA14A	D4GA17 (#D4GA16)	D4GB17 (#D4GB16)
Type	Natural Aspiration	Turbo Charger Intercooler						
Number of Cylinder	4 stroke-cycle, water-cooled, direct-injection diesel engine							
Piston Displacement (cc)	3,907				4 in-line			
Bore x Stroke (mm)	ø104 x 115				ø103 x 118			
Compression Ratio	18.1 : 1	18.0 : 1		17.5 : 1		17.0 : 1		
Max. Power** (ps/rpm)	Euro I	120/3,200	-	-	-	-	-	-
	Euro II	-	120/2,900	130/2,900	-	-	-	-
	Euro III	-	-	-	140/2,800	-	-	-
	Euro IV	-	-	-	-	150/2,500	-	-
	Euro V	-	-	-	-	-	140/2,800	-
	Euro VI	-	-	-	-	-	-	170/2,500 (#160/2,500)
Max. Torque ** (kg.m/rpm)	Euro I	26/2,000	-	-	-	-	-	-
	Euro II	-	30/2,000	38/1,800	-	-	-	-
	Euro III	-	-	-	38/1,600	-	-	-
	Euro IV	-	-	-	-	59/1,400	-	-
	Euro V	-	-	-	-	-	40/1,400	62/1,400 (#60/1,400)
	Euro VI	-	-	-	-	-	-	62/1,400 (#60/1,400)
Cooling System	General	Water cooling type with thermostat, forced circulations by centrifugal pump						
	Cooling fan	Suction type with mechanical fan clutch						
	Radiator	Corrugated fin and tube type with pressure cap and condenser tank						
	Battery	MF 90AH						
Electrical System	Alternator	24V-40A (OPT : 70A)		24V-50A (OPT:70A)	24V-55A (OPT:70A)	24V-55A (K4), 24V-90A (K5)	24V-55A	24V-55A (OPT:70A)
	Starter	24V-5.0kW						
Fuel System	Injection pump	Doowon in-line type	Doowon In-line type (or Deuso In-line)			Denso Common rail system		
	Governor	Mechanical type				Electronic type (ECU control)		
	Fuel filter	Spin-on type				Spin-on type, 2 Filter		
Oil System	Lubrication	Forced lubrication by gear pump						
	Oil filter	Filter with paper element						
	Oil cooler	Shell-and-plate type						
	Oil grade	API classification service CF-4 or above				CI-4 or above		CJ-4 or above
Air cleaner	Cyclonic dry paper element							
Valve System	Overhead valve, Two valves per cylinder				Single Overhead Cam, Four valves per cylinder			

\*\* Max. Power and Torque of engine may vary according to each country. # : Tropical Zone only

**Clutch**

Type	Hydraulic control, Diaphragm spring, Single dry plate, Pre-Damper							
Facing Material	Non-Asbestos							
Facing Size (mm) : Outside dia x Inside dia	ø300 x 190		ø326 x 236		ø300 x 190		ø362 x ø236	

HYUNDAI MIGHTY\_EX6 Cargo

**Transmission**

Engine	D4DC	D4DB-d	D4DB13	D4DD	D4GA15	D4GA14A	D4GA17 (#D4GA16)	D4GB17 (#D4GB16)
Model	M2S5	M3S5	M03S5S		T060S5 (OPT:T060S6)	M03S5S	T060S5 (OPT : T060S6)	
Type		Floor shift, 5 speed manual			<— (OPT : 6 Speed)	5 Speed	<— (OPT : 6 Speed)	
Gear Ratio	1st	5.494	5.181	5.380	5.810 (6.701)	5.380	5.810 (6.701)	
	2nd	2.836	2.865	3.028	3.281 (3.712)	3.028	3.281 (3.712)	
	3rd	1.592	1.593	1.700	1.787 (2.084)	1.700	1.787 (2.084)	
	4th	1	1.000	1.000	1.000 (1.351)	1.000	1.000 (1.351)	
	5th	0.746	0.739	0.722	0.705 (1.000)	0.722	0.705 (1.000)	
	6th	-	-	-	- (0.732)	-	- (0.732)	
	Reverse	5.494	5.181	5.380	5.294 (5.983)	5.380	5.294 (5.983)	
Gear Oil	SAE80W90 (Temperate & Frigid Zone), SAE90 (Tropical Zone)				SAE 75W/85	SAE80W90 (Temperate & Frigid Zone), SAE90 (Tropical Zone)		
TG.S. (Transmission Gear Shift)					Floor shift, Mechanical remote control			

**Propellershaft**

Model		P3		DS3000	P3	DS3000
Type	Tubular, Forged steel ends without center bearing					
Size (diameter x Thickness)		ø76.2 x ø2.6t		ø88.9 x ø3t	ø76.2 x ø2.6t	ø88.9 x ø3t

**Rear Axle**

Capacity	kg	4,700						
Type		Single Reduction, Hypoid gear						
Final Reduction Gear	G/Ratio	6.666	6.166 (OPT:6.666)	5.428	3.727	4.625	3.727	3.417/3.727 (#3.727/4.111)

**Front Axle**

Capacity	kg	2,300
----------	----	-------

**Tire & Wheel**

Type	Single Front, Dual Rear				
Tire	Front	7.00R16-10PR		7.00R16-12PR	205/75R17.5
	Rear	(OPT : 205/75R17.5-10PR)		(OPT:205/75R17.5-10PR)	-10PR
Wheel	Front	16 x 5.50F (OPT: 17.5 x 5.25)			17.5 x 5.25
	Rear				

**Steering**

Type	4-spoke, Ball-nut type, Tilt & Telescopic steering column	
Tilting Angle	-3.7° ~ 5.8°	
Overall Steering	Manual	-
Turning Angle	Inner	44.5°
	Outer	32°



**Service Brake**

Engine	D4DC	D4DB-d	D4DB13	D4DD	D4GA15	D4GA14A	D4GA17 (#D4GA16)	D4GB17 (#D4GB16)
Actuation	Hydraulic with vacuum servo assistance, dual circuit							
Size (mm)	Front	Drum $\phi 320 \times 110 \times 11$ (OPT : Disc $107\text{cm}^2 \times 21.5\text{mm}$ )						
	Rear	$\phi 320 \times 110 \times 11$ (OPT : Disc $107\text{cm}^2 \times 21.5 \text{ mm}$ )						
Total lining area	2,826 $\text{cm}^2$ (OPT : Disc 856 $\text{cm}^2$ )							
Adjuster	Depending on national Sales Condition (K4/K5 STD)							Installed

**Parking Brake**

Actuation	Internal expanding type on propellarshaft at the rear of transmission assy							
	Drum diameter x Lining width x Lining thickness							
Size (mm)	$\phi 180 \times 35 \times 5$ (M*S5 T/M), $\phi 190 \times 45 \times 4$ (M035S5 T/M), $\phi 230 \times 55 \times 4$ (T060S* T/M)							* cf
	: Drum diameter x Lining width x Lining thickness							
Total lining area	132 $\text{cm}^2$ (M*S5 T/M), 187 $\text{cm}^2$ (M035S5 T/M), 276 $\text{cm}^2$ (T060S* T/M)							

**Exhaust Brake**

Type	Vacuum operated, butterfly valve type							
------	---------------------------------------	--	--	--	--	--	--	--

**Suspension**

Type	Front / Rear	Semi-elliptic, laminated leaf springs						
Shock absorber	Double Acting							

**Exhaust system**

General	Conventional (horizontal) type muffler							
Tail pipe	Droptail type, blowing to chassis rearward							

**Fuel tank**

Capacity	100 $\ell$							100 $\ell$ (O : 75 $\ell$ , 150 $\ell$ )
Material	Steel							

**Frame**

Type	"H" type frame with channel sectional side rail & cross members							
Main section side rail dimension (mm)	Depth x Flange x Thickness : 183 x 60 x 6t							

## HYUNDAI MIGHTY\_EX6 Cargo

### Annotations

- 1) Empty vehicle weight and curb weight shown are to 3.5% variation to allow for production tolerance.
- 2) Empty vehicle weight and curb weight include weight of oil, fuel, coolant and spare tire carrier & bracket, spare tire but exclude standard tool set
- 3) The vehicle specifications may differ per country.
- 4) Hyundai motor company reserves the right to alter the specifications, equipment or options or discontinue the models at any time without prior notice.

Hyundai Commercial Vehicle SPECIFICATIONS\_ 15