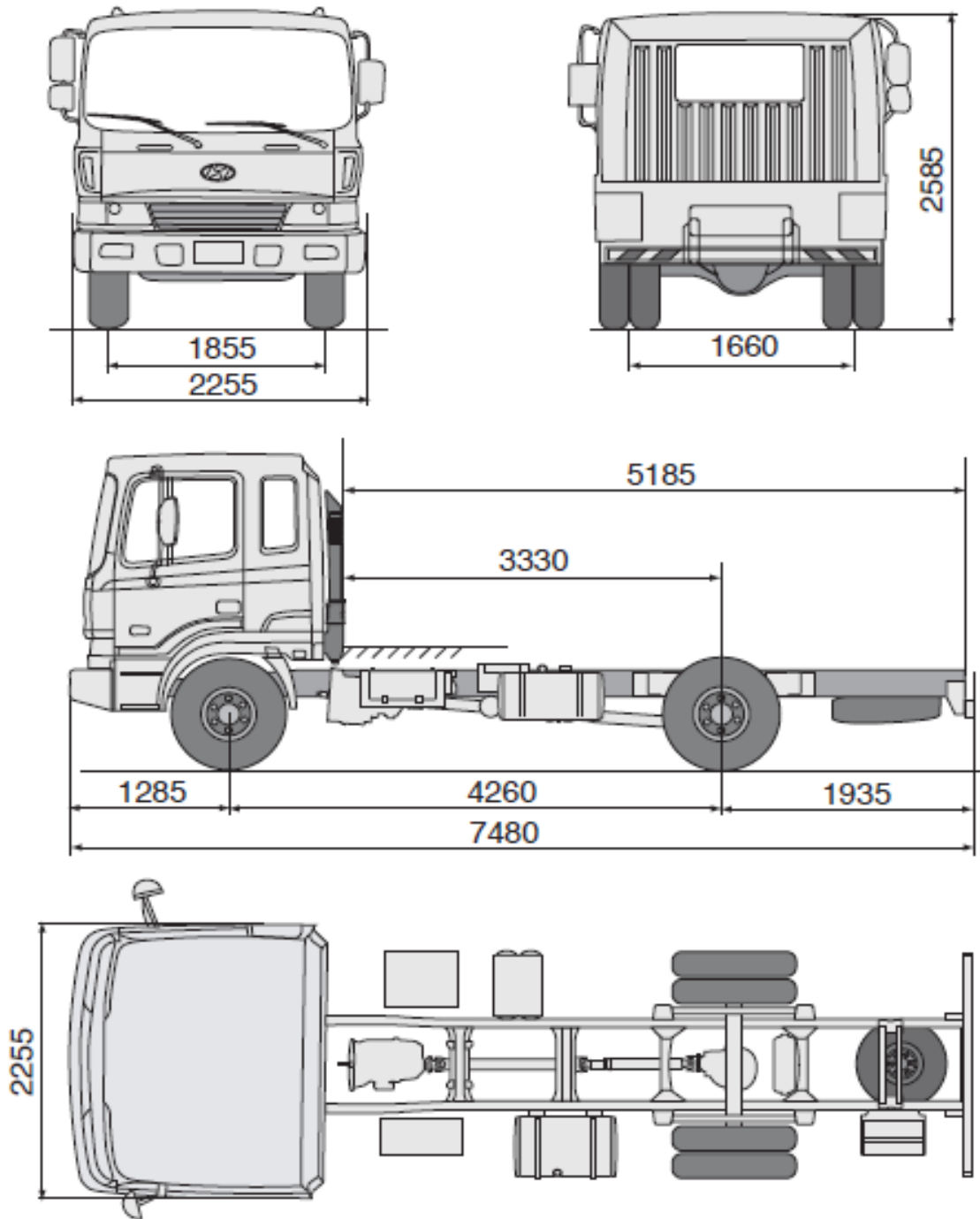


■ HD155 Chassis/Cab Wheelbase 4,260 EURO 4(EGR) Specifications



General Specifications

Vehicle Type / Drive System		Chassis Cab (Sleeper Cab) / LHD 4 X 2
Wheel Base		4,260 mm
Power Train	Engines	EURO 4 (EGR + PMC) / 5,899 cc, 255ps , 95kg.m
	Transmission	Manual Type (6 forward and 1 reverse)
	Rear Axle	Final Reduction Gear Ratio 3.909 / 4.111
GVW (Axle Capa.)		15,500 kg (= Frt. 6,000 kg + Rr. 9,500 kg)

Dimensions (mm)

Wheel Base		4260
Overall	Length	7480
	Width	2255
	Height	2585
Wheel Tread Front / Rear		1,855 / 1,660
Overhang	Front	1285
	Rear	1935
Deck Offset		585
C.A (Cab to rear Axle)		3330
C.E (Cab to end of frame)		5185
Min. Ground Clearance		210
Min. Turning Radius m		7.3

Weight (kg)

Curb Weight	Total	4290
	Front	2770
	Rear	1520
Max Gross Vehicle Weight	Total	15,500
	Front / Rear	6,000 / 9,500

Chassis Specifications

Engine	Model	D6GA2E
Type		Turbo Charger Intercooler
		4 Stroke-Cycle, Water Cooled, Direct-Injection Diesel Engine
Number of Cylinder		6 in-line
Piston Displacement (cc)		5,899
Bore x Stroke (mm)		103 x 118
Compression Ratio		17.0 : 1
Max. Power**(ps/rpm)	Euro IV	255 / 2,500
Max. Torque **(kg.m/rpm)	Euro IV	95 / 1,400
Cooling System	General	Pressure type with thermostat, Forced circulation by centrifugal water pump
	Radiator	Corrugated fin type with pressure cap and condenser tank
Electrical System	Battery	12V x 2, 120 AH
	Alternator	24V-70A
	Starter	4V-5kW
Fuel System	Injection	pump in-line type
	Governor	-
	Fuel filter	Spin-on type
Oil System	Lubrication	Forced lubrication by gear pump
	Oil filter	Combination (Full flow and bypass) filter with paper element
	Oil cooler	Water cooled, plate fin type
	Oil grade	API service classification CF-4 or above

Clutch

Type	Hydraulic control with Air pressure assistance, Coil spring, Single dry plate, Pre-Damper
Facing Material	Non-Asbestos
Facing Size (mm)	Outside dia x Inside dia : \varnothing 430 x \varnothing 250

Transmission

Model	T95S6	
Type	6 forward and 1 reverse speed, 2nd to 6th synchromesh, 1st & reverse constant-mesh gears	
Gear Ratio	1st	6.580
	2nd	3.922
	3rd	2.257
	4th	1.441
	5th	1.000
	6th	0.735
	Reverse	6.061
Gear Oil	GL-4(API Classification) or SAE80W90 (Tropical Zones: SAE90)	
Transmission Gear Shift	Floor shift, Mechanical remote control	

Propellershaft

Model	DS3500
Type	Tubular, Forged steel ends
Size (diameter x Thickness)	\varnothing 101.6 x 3t

Front Axle

Type	Reverse Elliot type " I " beam
Capacity kg	6,000

Rear Axle

Model	R150HS	
Type	Full floating type	
Capacity kg	9,500	
Final Reduction Gear	Type	Single Reduction, Hypoid gear
	G/Ratio	3.909 / 4.111
Gear Oil	GL-5 (API Classification) or 80W/90 (SAE Classification, 85W/140: Tropical Zones Only)	

Tire & Wheel

Type	Single Front, Rear	
Tire	Front / Rear	245/70R 19.5 - 18PR
Wheel	Front / Rear	19.5X6.75-145

Steering

Type	4-Spoke, Ball-Nut Type, Tilt & Telescopic Steering Column	
Steering Wheel	Manual	-
Diameter (mm)	Power	470
Tilting Angle	7.8 °	
Telescopic Stroke mm	48	
Overall Steering Gear Ratio	21.6	
Turning Angle	Inner	51 °
	Outer	35 °

Service Brake

Actuation	Full Air Wedge with spring load chamber	
Front Size mm	ø360 x 160 x 16	
Rear Size mm	ø360 x 160 x 16	
Vacuum reservoir	50ℓ	
Adjuster	Auto Adjuster	

Parking Brake

Actuation	Spring loaded type, Chamber on the rear wheel	
Size (mm)	ø360 x 160 x 16	

Auxiliary Brake

Exhaust Brake	Air operated, butterfly valve type	
---------------	------------------------------------	--

Suspension

Type	Front	Taper Spring
	Rear	Multi leaf
Spring Size (Length x Width x Thickness Num. of leaves)	Front	1300 x 70 x 18t-3 (U/LONG)
	Rear	Main 1300 x 70 x 12t-2,11t-8
Helper 900 x 70 x 11t-6		
Shock absorber	Hydraulic double acting telescopic type on the front & rear axle	

Cooling system

Radiator	Type	Tube & Corrugated fin type
	Size (mm)	618 x 720 x 56
	Cooling Fan	Auto clutched type viscos fan

Air intake system

General	Snorkel type at the rear of cab
Air cleaner type	Dry Paper type
Air cleaner position	At the rear of cab

Exhaust system

General	Box type
	Catalyst muffler (PMC type)
Tail pipe	Droptail type, blowing to chassis rearward

Fuel tank

Capacity	200 liter
Material	Steel (STD), Aluminum (OPT)

Frame

Type	"H" type frame with channel sectional side rail & cross members
Main section side rail dimension (mm)	Depth x Flange x Thickness : 302 x 90 x 8t