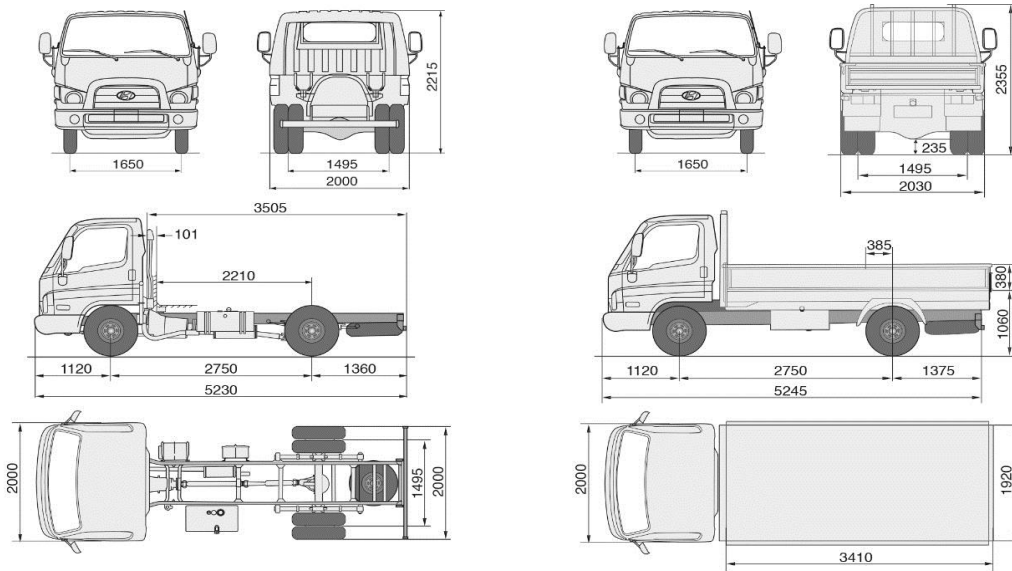


# HD72 Cargo Wide Short Wheelbase

HYUNDAI HD Series

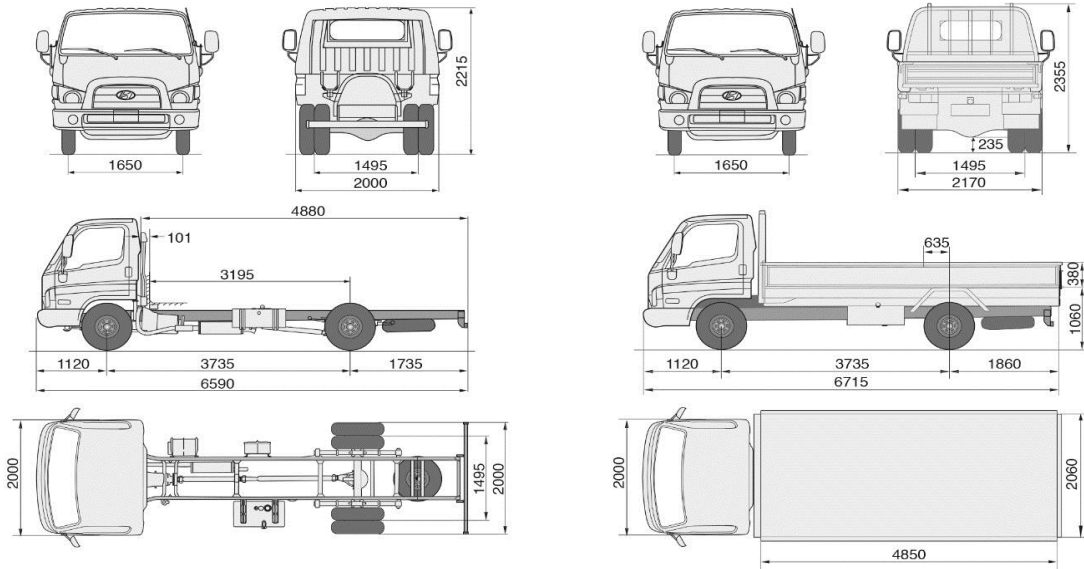


	Width	Wide			
		Length	Standard	High	Short
Cab	Height	4 X 2			
Wheel Base					
Drive System					
Application Engines		D4DC	D4DB-d	D4DB	D4DD
<b>Dimensions (mm)</b>					
Wheel Base			2,750		2,780
Overall (Chassis Cab / Cargo)	Length		5,230 / 5,245		5,260 / 5,275
	Width		2,000 / 2,030		
Wheel Tread	Front / Rear		1,650 / 1,495		2,270 / 2,355
	Overhang		1,120 / 1,120		
(Chassis Cab / Cargo)	Rear		1,360 / 1,375		1,360 / 1,375
	Length		3,410		
Deck Size (Cargo)	Width		1,920		
	Height		380		
	Floor Height		1,060		
C.A (Cab to rear Axle)			2,210		2,240
C.E (Cab to end of frame)			3,505		3,535
Min. Ground Clearance			235		
Min. Turning Radius	m		5.0		
<b>Weight (kg)</b>					
Curb Weight		2,450 / 2,900	2,470 / 2,920	2,505 / 2,955	2,545 / 3,005
(Chassis Cab / Cargo)	Front	1,540 / 1,620	1,560 / 1,640	1,575 / 1,655	1,600 / 1,685
	Rear	910 / 1,280	910 / 1,280	930 / 1,300	945 / 1,320
** Max Gross Vehicle Weight			7,300		
	Front / Rear		2,600 / 4,700		

\*\* Max. GVW includes the front & rear axle loads based on the permissible tire load.

# HD72 Cargo Wide Long Wheelbase

HYUNDAI HD Series

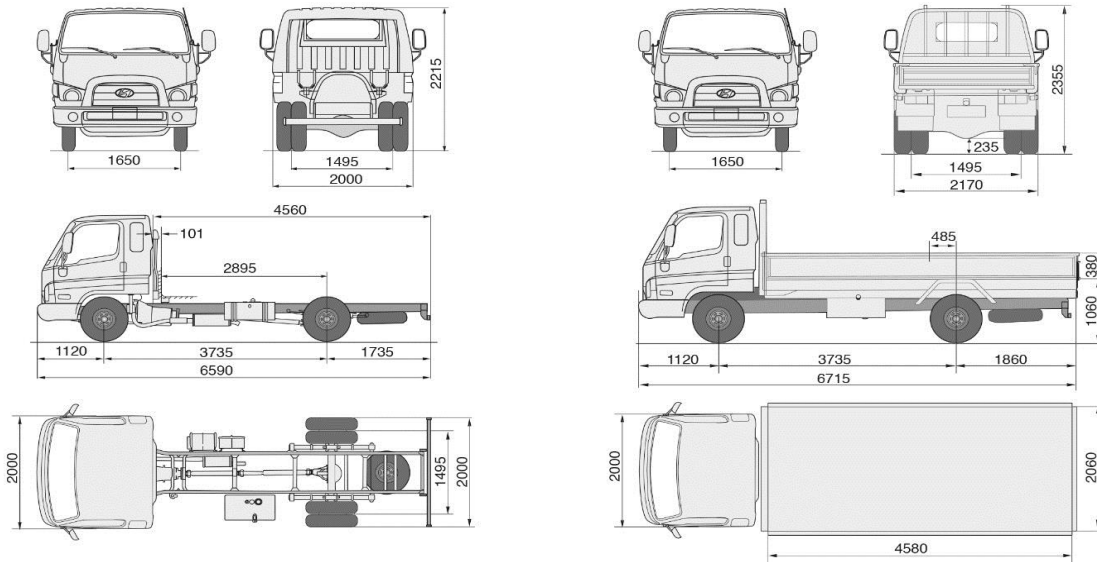


Cab	Width	Wide			
		Length	Standard	High	Long
Wheel Base	Height	4 X 2			
Drive System		D4DC	D4DB-d	D4DB	D4DD
Application Engines					
<b>Dimensions (mm)</b>					
Wheel Base			3,735		
Overall (Chassis Cab / Cargo)	Length	6,590 / 6,715		6,590 / 6,715	
	Width	2,000 / 2,170			
	Height	2,215 / 2,355		2,270 / 2,355	
Wheel Tread	Front / Rear	1,650 / 1,495			
	Front	1,120 / 1,120			
Overhang (Chassis Cab / Cargo)	Rear	1,735 / 1,860		1,735 / 1,860	
	Length	4,880		4,850	
	Width			2,060	
Deck Size (Cargo)	Height			380	
	Floor Height			1,060	
	C.A (Cab to rear Axle)	3,195			
C.E (Cab to end of frame)	4,860				
Min. Ground Clearance			235		
Min. Turning Radius	m	7.3			
<b>Weight (kg)</b>					
Chassis Cab Weight		2,500 / 3,060	2,520 / 3,080	2,555 / 3,115	2,570 / 3,165
(Chassis Cab / Cargo)	Front	1,590 / 1,695	1,610 / 1,715	1,625 / 1,730	1,650 / 1,760
	Rear	910 / 1,365	910 / 1,365	930 / 1,385	920 / 1,405
** Max Gross Vehicle Weight		7,300			
	Front / Rear	2,600 / 4,700			

\*\* Max. GVW includes the front & rear axle loads based on the permissible tire load.

# HD72 Cargo Wide Super Cab Long Wheelbase

HYUNDAI HD Series



Cab	Width		Wide				
	Length	Height	Super	High			
Wheel Base			Long				
Drive System			4 X 2				
Application Engines			D4DC	D4DB-d	D4DB	D4DD	
Dimensions (mm)							
Wheel Base			3,735				
Overall (Chassis Cab / Cargo)	Length	6,590 / 6,715		6,590 / 6,715			
	Width	2,000 / 2,170		2,000 / 2,170			
Wheel Tread	Height	2,215 / 2,355		2,270 / 2,355			
	Front / Rear	1,650 / 1,495					
Overhang (Chassis Cab / Cargo)	Front	1,120 / 1,120					
	Rear	1,735 / 1,860		1,735 / 1,860			
Deck Size (Cargo)	Length	4,580					
	Width	2,060					
	Height	380					
	Floor Height	1,060		1,070			
C.A (Cab to rear Axle)			2,895				
C.E (Cab to end of frame)			4,560				
Min. Ground Clearance			235				
Min. Turning Radius	m			7.3			
Weight (kg)							
Chassis Cab Weight			2,495 / 3,055	2,515 / 3,075	2,550 / 3,110	2,600 / 3,160	
(Chassis Cab / Cargo)	Front	1,590 / 1,665		1,610 / 1,685		1,625 / 1,700	
	Rear	905 / 1,390		905 / 1,390		925 / 1,410	
** Max Gross Vehicle Weight			7,300				
	Front / Rear			2,600 / 4,700			

\*\* Max. GVW includes the front & rear axle loads based on the permissible tire load.

## Chassis Specifications Engine

Model		D4DC	D4DB-d	D4DB	D4DD
Type		Natural Aspiration	Turbo Charger Intercooler		
		4 stroke-cycle, water-cooled, direct-injection diesel engine			
Number of Cylinder		4 in-line			
Piston Displacement (cc)		3,907		3,907	
Bore x Stroke (mm)		104 x 115		104 x 115	
Compression Ratio		18.1 : 1		18.0 : 1	17.5 : 1
Max. Power** (ps/rpm)	EuroI	120 / 3,200		130 / 2,900	-
	EuroII	-	120 / 2,900	130 / 2,900	-
	EuroIII	-	-	-	140 / 2,800
Max. Torque ** (kg.m/rpm)	EuroI	30 / 2,000	-	38 / 1,600	-
	EuroII	-	29 / 2,000	38 / 1,600	-
	EuroIII	-	-	-	38 / 1,600
Fuel Metering System	Injection pump		In-line System		Common Rail System
	Governor		Mechanical Type		Electrical Type by ECU
	Fuel filter System		Spin-on type		
Cooling System	Cooling Fan		Water-Cooling. Forced circulation by centrifugal water pump		
	Radiator System		Auto Clutched Type		
	Oil Filter		Corrugated fin and tube type with pressure cap and condenser tank		
Lubrication System	Oil Cooler	Shell & Plate		Forced Lubrication Oil by gear pump	
	Oil Grade			Full flow filter with paper element	
	Battery			Shell & Plate	
Electrical System	Alternator			CF-4 or above (API Classification)	
	Starter			24V-90AH MF	
	Timing System			24V-40A	24V-50A
				24V-5.0kW	
				OverHead Valve, 2 Valves per Cylinder	

\*\* Max. Power and Torque of engine may vary according to each country.

## Clutch

Type	Hydraulic control, Diaphragm spring, Single dry plate, Pre-Damper		
Facing Material	Non-Asbestos		
Facing Size (mm) Outside dia x Inside dia		ø275x 180	ø300 x190

Transmission					
Engine		D4DC	D4DB-d	D4DB	D4DD
Model		M3S5		M03S5S	
Type			5 Speed Manual		
Gear Ratio	1st	5.181		5.380	
	2nd	2.865		3.208	
	3rd	1.593		1.700	
	4th	1.000		1.000	
	5th	0.739		0.722	
	6th	-		-	
	Reverse	5.181		5.380	
Gear Oil		GL-3(API Classification) or SAE80W90 (Tropical Zones: SAE90)			
T.G.S. (Transmission Gear Shift)		Floor shift, Mechanical remote control			
Rear Axle					
Type		Full floating type			
Capacity	kg	4,700			
Final Reduction Gear	Type	Single Reduction, Hypoid gear			
	G/Ratio	6.666	6.166/6.666	5.428	
Front Axle					
Type		Reverse Elliot type "I" beam			
Capacity	kg	2,300(narrow) / 2,600(wide)			
Tire & Wheel					
Type		Single Front, Dual Rear			
Tire	Front / Rear	7.50R 16 10PR			
Wheel	Front/ Rear	6.00G5 16 SDC-127			
Steering					
Type		2-Spoke, Ball-nut type, Tilt & Telescopic steering column			
Tilting Angle		55.5° ~ 62.2°			
Turning Angle	Inner	38°(Narrow) / 44°(Wide)			
	Outer	28.5°(Narrow) / 34°(Wide)			
Service Brake					
Actuation		Hydraulic with vacuum servo assistance, dual circuit			
Front Size (mm)		Drum diameter x Lining width x Lining thickness :			
Rear Size (mm)		ø320 x 85 x 10 (OPT :ø320 x 110 x 11)			
Adjuster		Auto adjuster (OPT)			

HYUNDAI HD Series\_HD72 Cargo

Parking Brake				
Engine		D4DC	D4DB-d	D4DB D4DD
Actuation		Internal expanding type on propellarshaft at the rear of transmission assy		
Size (mm) Drum diameter x Lining width x Lining thickness		ø180 x 35 x 5 (M*55 T/M), ø190 x 45 x 4 (M03555 T/M)		
Auxiliary Brake				
Exhaust Brake		Vacuum operated, butterfly valve type (OPT)		
Suspension				
Type	Front / Rear	Semi-elliptic, laminated leaf springs with shock absorber		
Shock absorber		Hydraulic double acting telescopic type on the front & rear axles		
Exhaust system				
General		-		DOC
Tail pipe		Droptail type, blowing to chassis rearward		
Fuel tank				
Capacity		100 liter		
Material		Steel		
Frame				
Type		"H" type frame with channel sectional side rail & cross members, side rail is reinforced with outer stiffeners		
Main section side rail dimension (mm)		Depth x Flange x Thickness : 183 x 60 x 6t		

**Annotations**

- 1) Empty vehicle weight and curb weight shown are to 3.5% variation to allow for production tolerance.
- 2) Empty vehicle weight and curb weight include weight of oil, fuel, coolant and spare tire carrier & bracket, spare tire but exclude standard tool set
- 3) The vehicle specifications may differ per country.
- 4) Hyundai motor company reserves the right to alter the specifications, equipment or options or discontinue the models at any time without prior notice.